



TLS Trends: A roundtable discussion on current usage and future directions


Communications Security Establishment Canada (CSEC)



This presentation is up to
TOP SECRET//SI
//REL TO
CAN, AUS, GBR, NZL, USA



Outline

- Background
- Implementation
- Trend Report
- Success Stories
- Future Development
- Questions

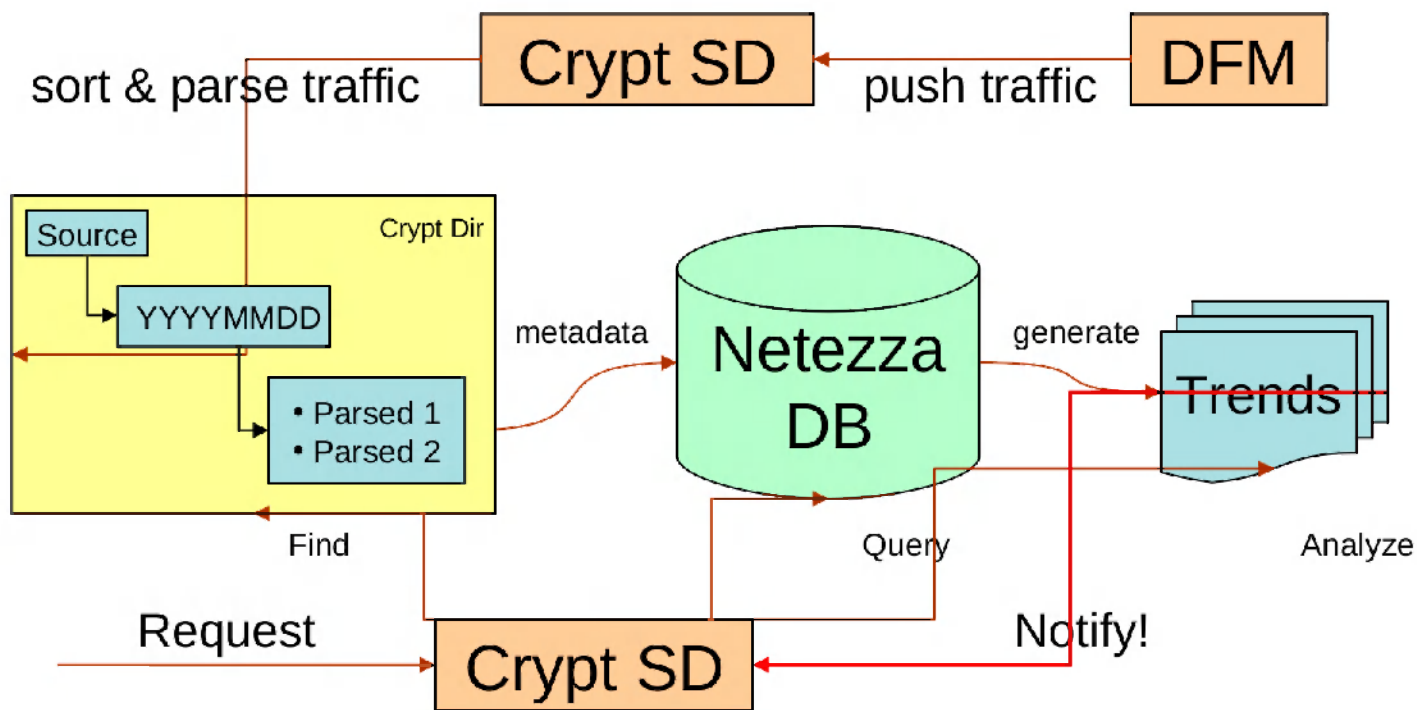


Background

- Objectives:
 - Identify capabilities in existing warranted SSL/TLS traffic
 - Generate regular trend reports and analysis
 - Identify abnormalities and technology changes
 - **Be proactive!**

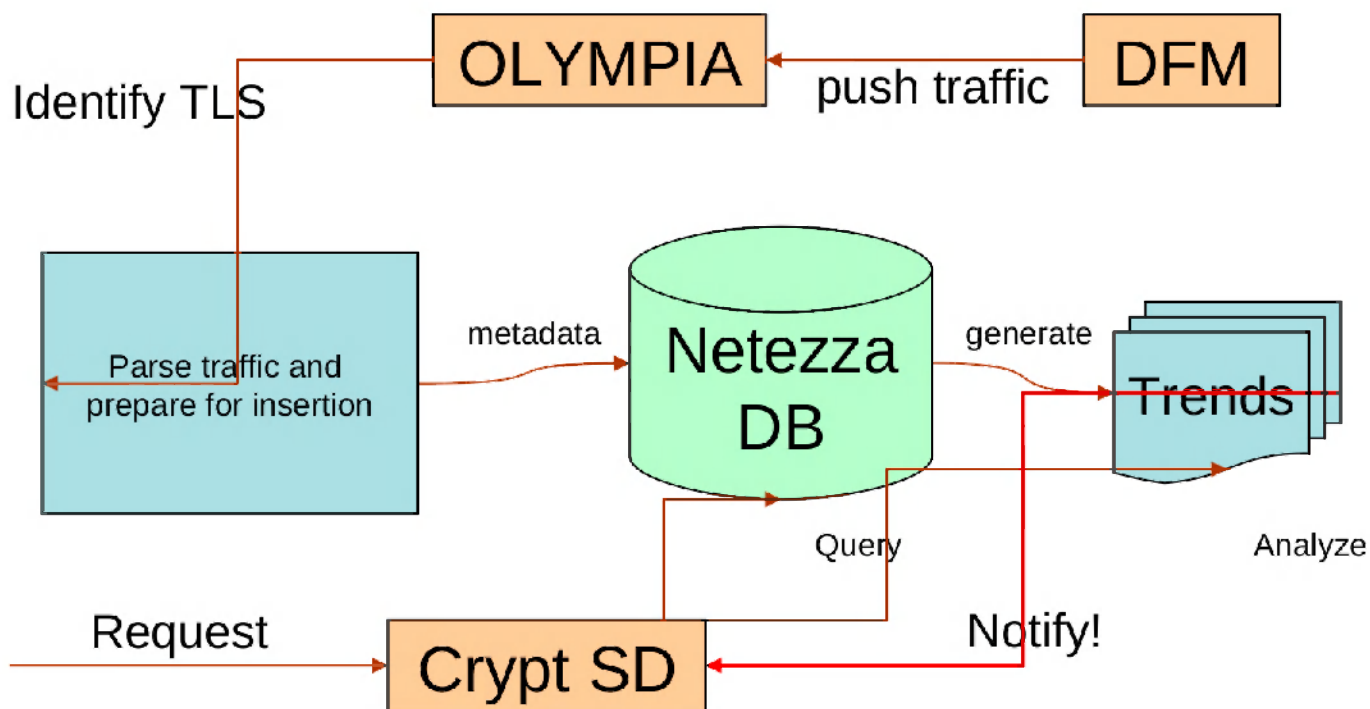


Implementation – Warranted Collection





Implementation – Special Source



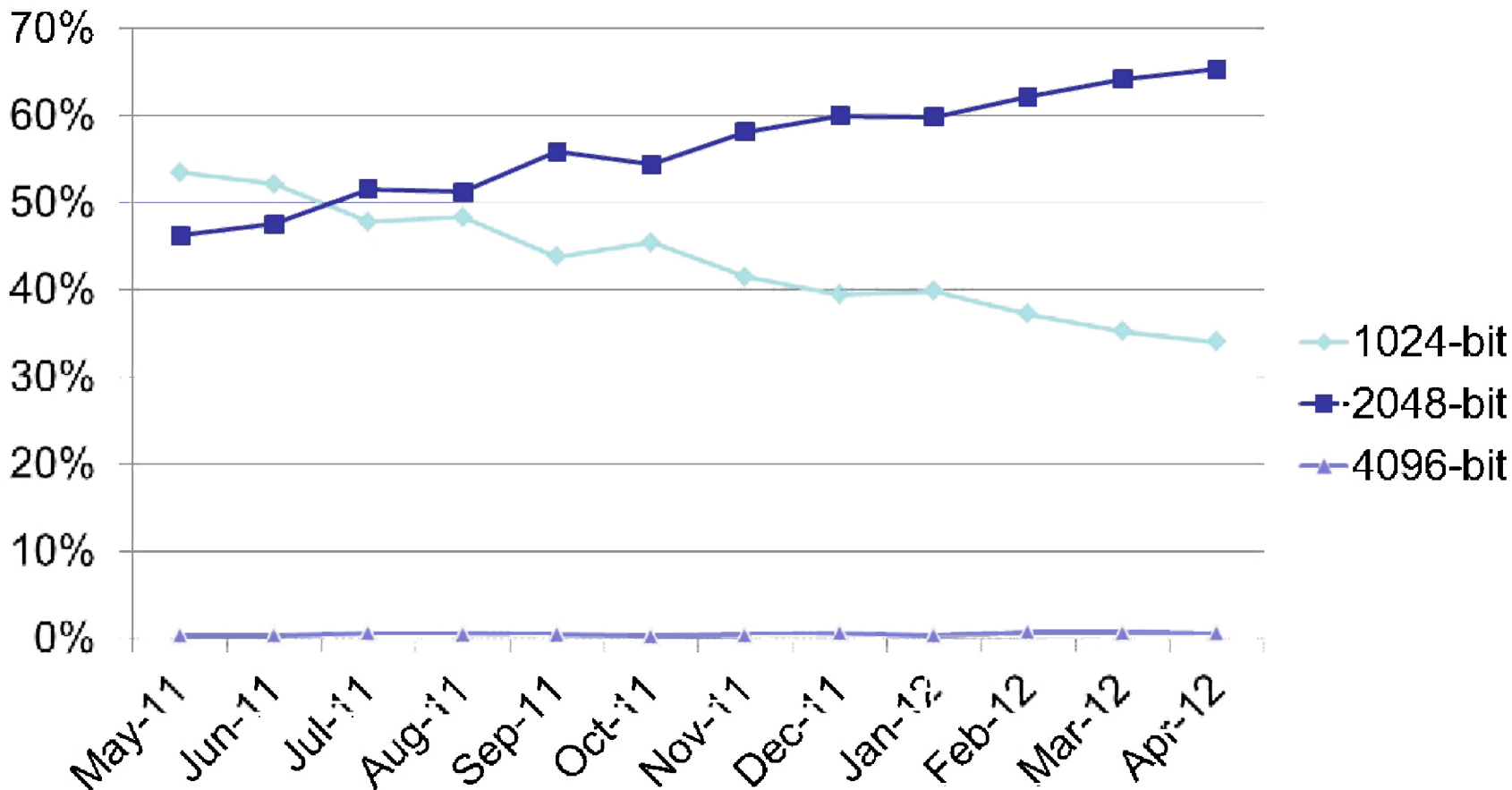


Trend Report – Warranted Collection

- Inspired by GCHQ weekly TLS Trend Reports
- What we're tracking:
 - Amount of SSL/TLS traffic seen
 - Cipher Suite Breakdown (RSA vs EC vs DH)
 - SSL/TLS Version Breakdown
 - Top Certificates seen by Common Name
 - Top RSA Certificate Moduli seen
 - Top DH Moduli seen
 - Percentage of Resumed Session
 - Session Ticket Usage, Elliptic Curve Usage
 - RSA & DH Modulus Size Breakdown
 - New DH moduli
 - Top new RSA moduli



RSA Key Size Trends (warranted only)

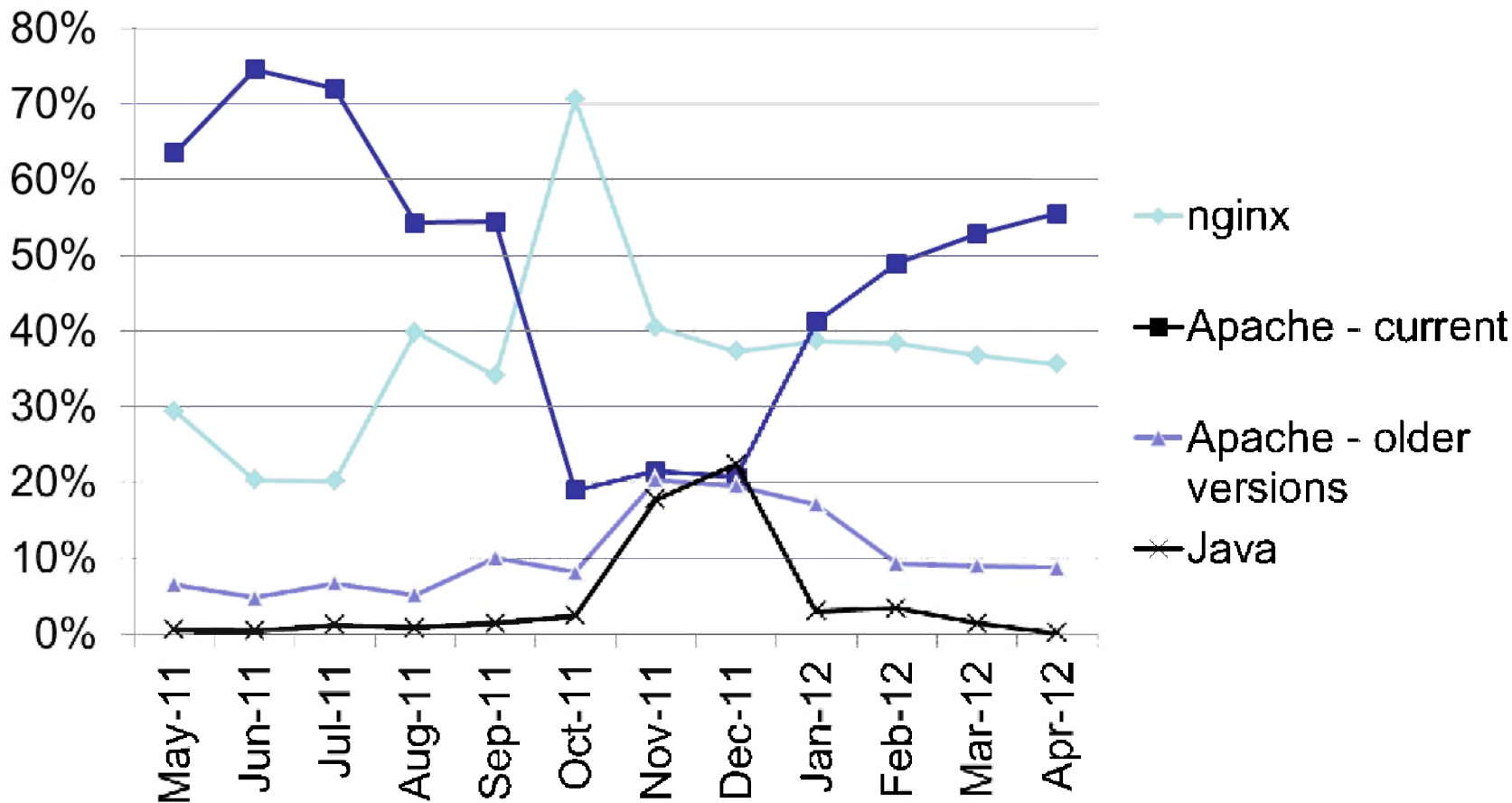


Safeguarding Canada's security through information superiority
Préserver la sécurité du Canada par la supériorité de l'information

Canada



DH Modulus Trends (warranted only)

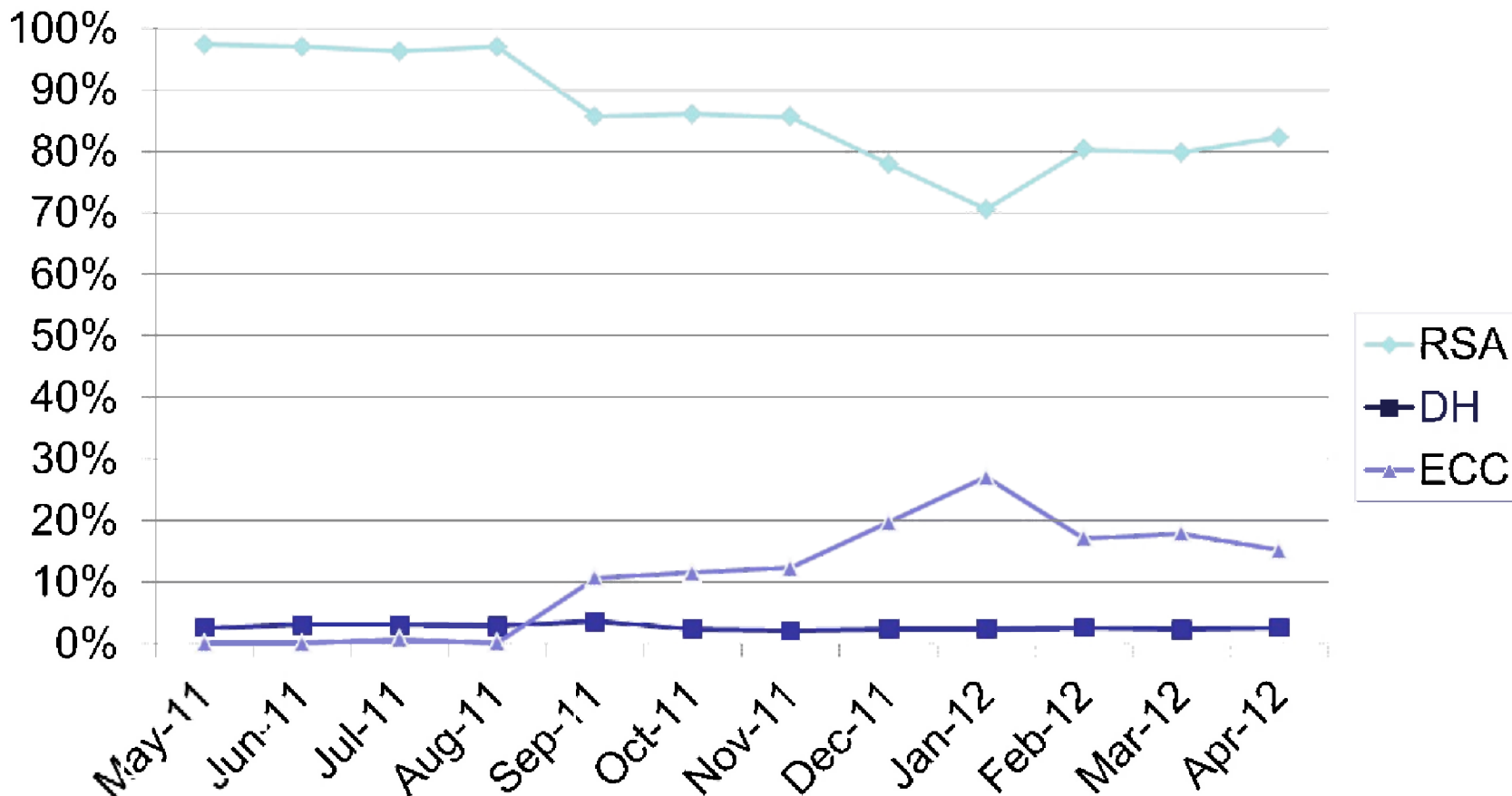


Safeguarding Canada's security through information superiority
Préserver la sécurité du Canada par la supériorité de l'information

Canada



Public Key Exchange Methods (warranted only)



Safeguarding Canada's security through information superiority
Préserver la sécurité du Canada par la supériorité de l'information





Target Specific reporting (warranted only)

- Intended to engage analysts in identifying traffic of interest
 - Show the known services their target is using
 - Ask them to help identify unknown services
 - Identify changes in their target's use of TLS



Sample Report

Trends Report for Canuckistan in the month of April

Table 1. Types of TLS traffic in working hours (7am to 6pm) and out of hours

WHO	OUT_HOURS	IN_HOURS	TOTAL
Google	1479	2782	4261
Hotmail/Live	455	934	1389
Advertising	401	139	540
Foreign government sites	338	97	435
Canuckistan Social Media	59	90	149
Facebook	38	82	120
Apple	12	2	14
Banking	5	4	9
Transportation sites	3	0	3
Microsoft	1	0	1



Sample Report (cont'd)

Table 2. Sites visited from the Canuckistan Social Media group

WHO	SITES	OUT_HOURS	IN_HOURS	TOTAL
hockeytalk	login.hockeytalk.com	3	10	13
hockeytalk	chat.hockeytalk.com	31	44	75
hockeytalk	mail.hockeytalk.com	25	36	61

Comments:

We have noticed a large increase in chat activity on the hockeytalk sites. This is likely due to the beginning of playoff season.



Success Stories

- Easily identified current capabilities in warranted traffic
- Verified certificate being phased out and identified possible replacements
- Corroborated with GCHQ on discovering frequent Google moduli changes
- Currently pushing new moduli for testing against publicly known weaknesses (PHOENIX)
- Identified use of Elliptic Curve Certificates



Future Development

- Trends reports on Special Source collection
- New types of metadata added to database
- Collaboration with CSEC's Data Mining team
- Improve efficiency, stability of solutions