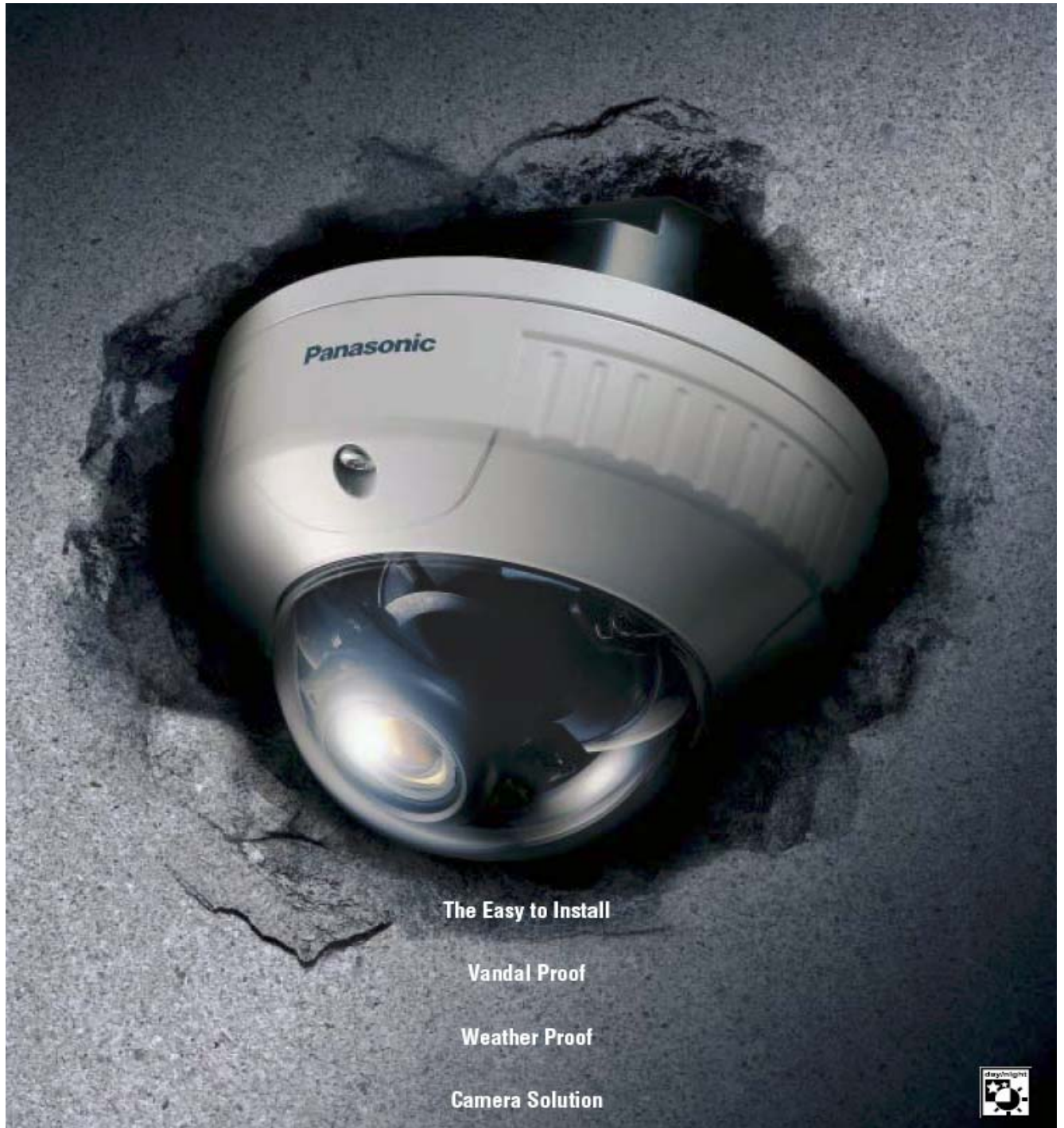




**1/3" Day&Night Domecamera
WV-CW474AFE**



The Easy to Install

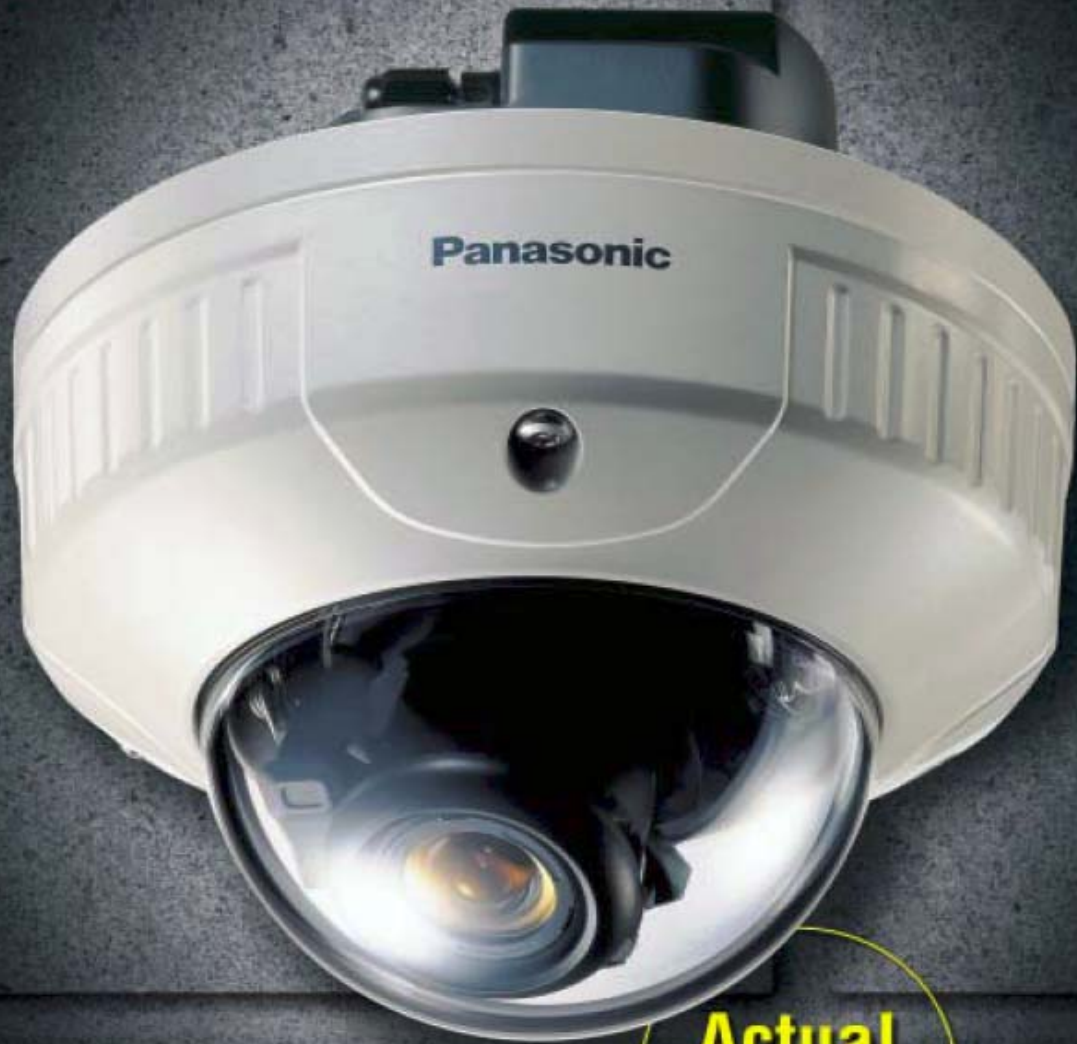
Vandal Proof

Weather Proof

Camera Solution



Heavy Duty Construction



Actual Size
 (WV-CW474AF)

Die-cast aluminum body Shock Resistant

With a body made of die-cast aluminum and a dome made of 3.5mm thick polycarbonate, these cameras are tough enough to resist severe shocks.



The camera lens unit has a spring structure, so the chassis can withstand external shocks.



IP66 approved Rain and Wind Resistant

Meet IP66 international standards. With excellent dust and moisture resistant capabilities, these cameras can be used indoor applications and outdoors, under building eaves.



Heater Unit: WV-CW3H (Optional) Ideal for Varying Temperatures

The optional heater unit adjusts automatically to temperature fluctuations, helping to prevent dew condensation.



High Performance in a Rugged Body.

Panasonic's new Vandal Proof Super Dynamic II Colour Cameras. The WV-CW470A Series are not only rugged and loaded with high-performance features, they are also easy to install. Highly resistant to dust, moisture and shock these units satisfy international standards. The WV-CW470A Series include high image quality, increased sensitivity, day/night switching for 24-hour surveillance and a multi-function motion detector. Free from conventional limitations on placement, application and objective, these multipurpose colour cameras are ideal for numerous surveillance applications.

Feature Loaded & Simple to Install

For single-camera 24-hour surveillance
Day/Night Switching

Day
Night

Senses motion and sends alarm signal
Motion Detector

80 times dynamic range
Super Dynamic II

Versatile attachment with Unlimited Positioning
3-Dimensional Hinges



Feature Loaded

Single-camera 24-hour surveillance Day/Night Switching



To allow 24-hour surveillance, these cameras (in high-sensitivity mode) sense darkness and switch automatically from daytime colour to nighttime black-and-white with duration and timer setting to meet exact installation requirements. They can also be switched from colour to black-and-white manually.

Day (Colour mode)



Night (B/W mode) at low-light condition



Day/Night
switching

Full-colour images at 0.8lux Black-and-white images at 0.1lux

These cameras support full-colour surveillance in low-light situations like this parking lot, switching to black-and-white allows surveillance in light as low as 0.1lux. IR response down to 0.00lux is valid. 10x auto electronic sensitivity up is also supported (in fixed mode 32x available).

Current



WV-CW470A Series at colour imaging



Current



WV-CW470A Series at B/W mode



510-line horizontal resolution (High) in colour mode

Equipped with a powerful 752(H) x 582(V) 1/3-type CCD, these cameras deliver beautifully clear images with 510 lines (at High) and 480 lines horizontal resolution at colour imaging, and 570 lines at B/W mode.

2x variable-focal lens is standard equipment

Equipped with a 2x variable-focal lens plus an additional 2x electronic zoom, these cameras can view their subjects in greater details.

With Super Dynamic II, backlighting is no problem



With a 80 times dynamic range, Panasonic's proprietary Super Dynamic II processing yields clear images even in high-contrast or backlit lighting situations.

Set the lens aperture to the bright section,
and the dark section is invisible.



Set the lens aperture to the dark section,
and the bright section is invisible.

Digital signal technology allows images with
high contrast to be seen on screen.

Digital Motion Detector senses movement and sends an alarm signal

When the Motion Detector senses movement in the monitored image, it automatically sends an alarm signal to the system. When linked to a recording device, it provides an efficient way to avoid missed images.



(Tums white only in demo mode)

Character displays title

The monitor can display title up to 16 roman letters or numbers. By allowing instant identification of pre-set camera locations, this feature can help prevent errors during emergency situations.

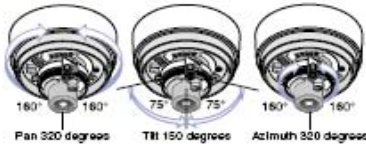


Photographs were taken for the purpose of explanation; actual images may differ.

Simple to Install

Proprietary 3-D hinge makes adjustments easy

The 3-dimensional hinge (Pan, Tilt and Azimuth) allows the camera to be rotated as well as moved horizontally and vertically. Digital signal processing allows the image itself to be shifted up, down, left, right, or inverted. Choose precisely the camera angle you need; no camera makes it easier.



Basic settings couldn't be simpler

Simple dipswitches control Soft/Sharp, Day/Night: Off/Auto and other basic settings.



Accepts both 24V AC and 12V DC power in a single unit

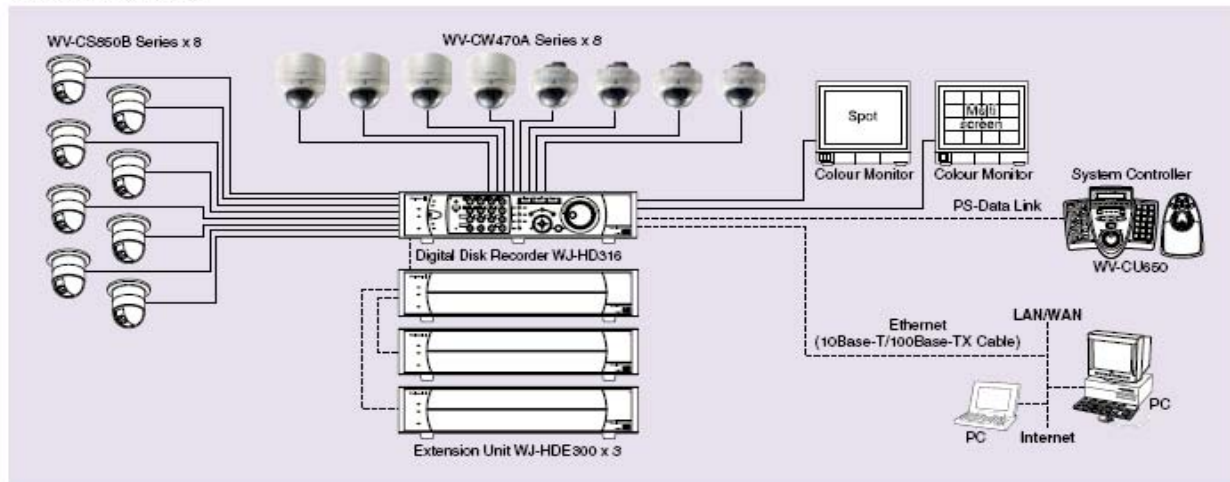
The Flush Mount Type WV-CW474AF accepts both 24V AC and 12V DC with a single cable terminal. This unique capability enables simple model selection and easy installation.

Equipped with Monitor output connector

Since a small LCD monitor (option) can be attached to the monitor output connector (3.5mm in diam. Mini jack), camera angle and focus can be checked on the spot.

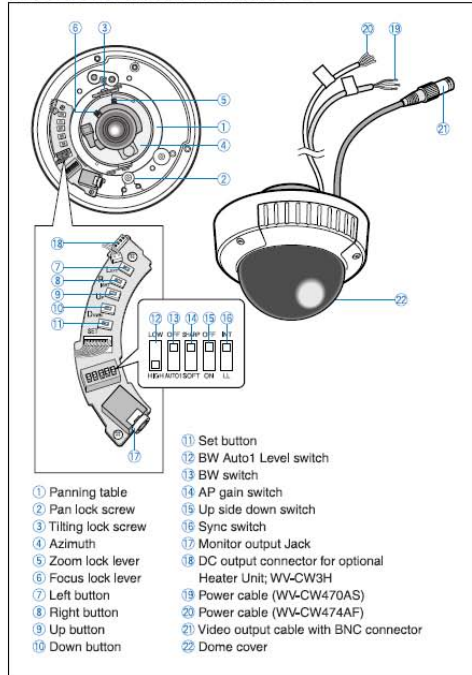


SYSTEM EXAMPLE



- At Hospitals
- At Day Care Centres
- At Courthouses
- At Correctional Facilities
- At Warehouses
- And many more

MAJOR OPERATING CONTROLS



OPTIONAL COMPONENTS & ACCESSORIES

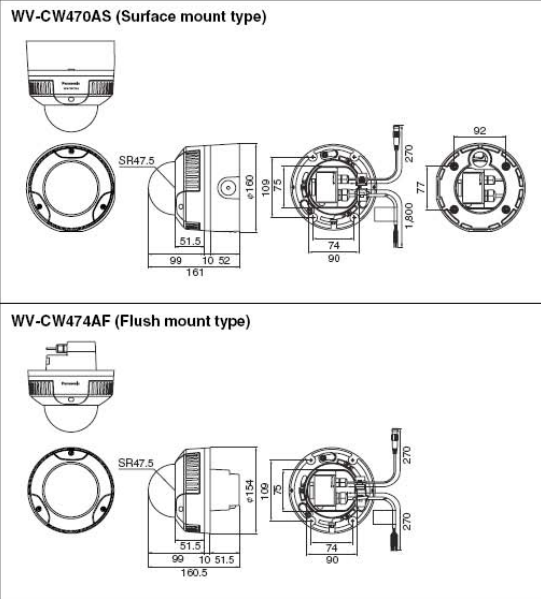
Heater Unit WV-CW3H	Smoke Dome Cover WV-CW2S
Digital Disk Recorders WJ-HD316 (16ch)	WJ-HD309 (9ch)
MATRIX SYSTEM 500 Matrix Switcher WJ-SX550C Card Cage WJ-AD550 System Controller WV-CU550CJ	System Controller WV-CU650
Colour Monitors WV-CM2080 55cm CRT WV-CM1780 45cm CRT WV-CM1480 40cm CRT WV-CM1420 37cm CRT WV-CM1020 25cm CRT	

SPECIFICATIONS

Model No.	WV-CW470AS	WV-CW474AF
Type	Surface mount type	Flush mount type
Pick Up Device	752 (H) x 582 (V) pixels, interline transfer CCD	
Scanning Area	4.86 (H) x 3.62 (V) mm. (Equivalent to 1/3" tube)	
Scanning	625 lines / 50 fields / 25 frames	
Scanning System	2 : 1 Interface	
Synchronization	Internal / Line-Lock (220V ~ 240V AC / 24V AC) / VD2	
Video Output	1.0V [p-p] / 75 Ω / PAL composite signal / BNC connector	
Horizontal Resolution	510 lines (at High) and 480 lines at colour imaging mode, 570 lines at B/W mode	
Minimum Illumination (at F1.4 Wide)	0.8 lux at colour imaging mode 0.1 lux at B/W mode	
Signal to Noise Ratio	50dB (at AGC Off, Weight On, AP On)	
Dynamic Range	48dB (typical)	
Functions	16 character display (alphabet, numeric, symbols)	
Light Control	ALC mode	
Super Dynamic II	On / Off	
Electronic Shutter	Off, 1/120, 1/250, 1/500, 1/1,000, 1/2,000, 1/4,000, 1/10,000 sec.	
AGC	On (High / Mid / Low) / Off	
Electronic Sensitivity Up	Off, Auto (x2, x4, x6, x10), Fix (x2, x4, x6, x10, x16, x32)	
White Balance	ATW 1 / ATW 2 / AWC	
Motion Detector	On / Off	
Lens	2x variable focal lens	
Focal Length	3.8 ~ 8.0 mm	
Angular Field of View	Horizontal: 35.6° ~ 73.6°, Vertical: 26.6° ~ 53.4°	
Aperture Ratio	F1.4 (Wide) to F176, close / F1.8 (Tele) to F176, close	
Min. Object Distance	1.2 m (3.9 ft) ~ ∞	
Ambient Operating Temperature	-10°C ~ +50°C [-30°C ~ +50°C with optional Heater Unit (WV-CW3H)]	
Ambient Operating Humidity	Less than 90%	
Power Source	220V ~ 240V AC, 50Hz	24V AC 50Hz, or 12V DC
Power Consumption	5.2W (camera only) 14.0W (with optional Heater Unit)	12V DC, 367mA (camera only) 24V AC 50Hz, 3.8W (camera only) 24V AC 50Hz, 12.1W (optional Heater Unit only)
Dimensions (D) x (H) mm	ø160 x 161	ø154 x 160.5
Weight (approx.)	2.15 kg	1.45 kg

APPEARANCE

Unit: mm





If you would like further Information about ELAMAN,
or would like to discuss a specific requirement or project, please contact us at:

Elaman GmbH
German Security Solutions
Seitzstr. 23
80538 Munich
Germany

Tel: +49-89-24 20 91 80
Fax: +49-89-24 20 91 81
info@elaman.de
www.elaman.de